

PRODUCT DESCRIPTION

3" Round adjustable spot trim

To be used in low and line voltage applications. Trim will adjust 35 degrees from vertical position.

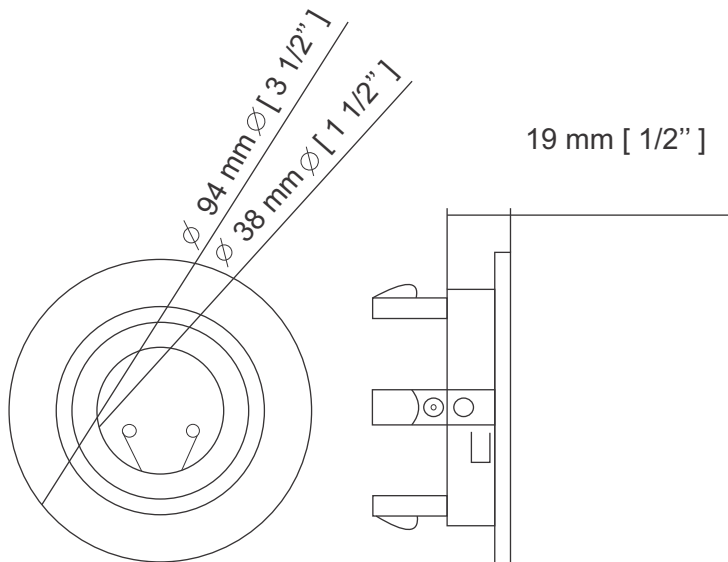
LAMPING: Accommodates an MR-16 or GU-10 bulb. Please see housing for maximum wattage allowed according to selection.

Painted finishes are powder coated for abrasion resistance, clear lens included. Steel metal clips secure to housing.

DIAMETER : 3 1/2"

FINISHES: Matte White (MW), Brushed Nickel (BN), Bronze (BZ)

| MODEL | FINISH |
|---------|--------|
| RA3-461 | MW |
| | BN |
| | BZ |



Compatible Housings

| |
|----------|
| Model |
| RA3-ICAT |
| RA3-RAT |
| RA3-NAT |

