

3.5 inch Shallow LED recessed fixtures with square and round aperture offer energy-efficient, precision lighting for accent, task, or wall wash applications.

This dimmable LED recessed light is designed with only a 4" high housing to easily fit into new construction tight plenums.

A feature enriched, small aperture downlight, the innovative design allows the LED to be positioned closer to the aperture for maximum light output and efficiency or higher to minimize glare and flash on the trim.

This low profile LED downlight delivers about 1300 lumens of award-winning lighting performance while using minimal plenum space. Let your ceilings stand tall, and give them the room they deserve.

Series 3.5" Shallow Downlight

	Lumen Output	Aperture Opening	Trim	Functions	Wattage	Input Voltage	Color Temperature	Finish	IC Rated Type
RA35-	1300 Lumen	RD-Round SQ-Square	T-Trimmed TL-Trimless	VD-Vertical Downlight AD-Adjustable Downlight WD-Wall Wash Downlight	LED 12W	120V-(Triac Dimmable) 230V 277V 120-277V	2700K 3000K 3500K 4000K 5000K	White Black Satin Nickel	IC

Example: RA35-13-RD-TL-VD-12-120-27-W-IC

Features

Chicago plenum rated.

Separable rotating reflector design makes it easy for replacement.

Provide unique high-low lamp positioning with the simple twist of a screwdriver.

Power supply using isolation scheme, driver can achieve high power factor and conversion efficiency, constant current output.

Universal 120V-277V driver with optional 0-10V standard dimming protocol or 120V option uses triac dimming.

Listing / Warranty

ETL listed to US and Canadian standards for damp location W/Feed through.

5 Year Limited Warranty.



Housing

Heavy duty black powder coated cold roll steel frame.

Design for New Construction installation.

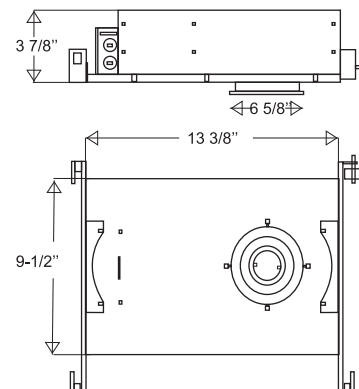
Housing can be installed in 1/2" to 1-3/8" thick ceilings.

Housing types include IC Air-Tight .

Junction box and driver are located on opposite ends of the housing, with easy access for maintenance and installation.

Optional round or square aperture shape.

Trimless design is available.



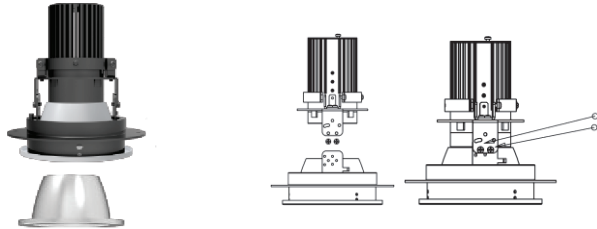
Vertical Downlight

With precision optics and adjustments, luminaires put exactly the right amount of light in precisely the right places.

Round type can achieve 3 beam angles without replacing any part

Allow for 358 degree rotation.

Vertical downlight used with vertical reflector matched.



Screw Setting Place

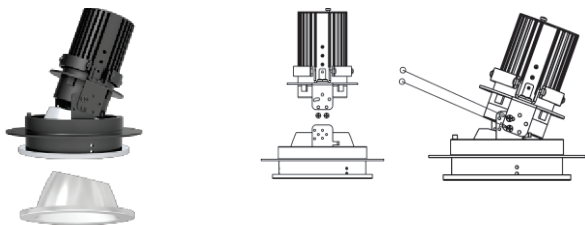


Round

Adjustable Downlight

Additional adjustability allows for locking including 0°-30° tilt and 358° rotation while always maintaining center beam candle power.

Adjustable downlight used with adjustable reflector matched.



Screw Setting Place

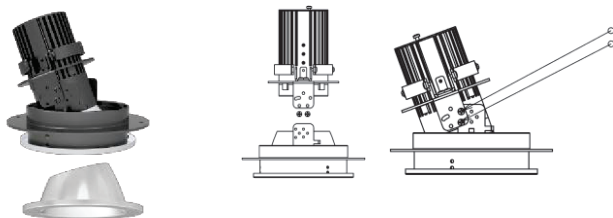


Wall Wash Downlight

High performance wall wash with asymmetric distribution provides uniform illumination.

Allow for 358 degree rotation.

Wall wash downlight used with wall washing reflector matched.



Screw Setting Place



Square